



Baltic Offshore Wind
Energy to Hydrogen

Interreg
Baltic Sea Region



Co-funded by
the European Union



IKEM

Non-profit think tank

Mission: Accelerate and achieve the global energy transition



IKEM's departments



Energy law



Mobility



Research Academy



Climate & Innovation





Baltic Offshore Wind
Energy to Hydrogen

Interreg
Baltic Sea Region



Co-funded by
the European Union



Project partners



1. IKEM - Institute for Climate protection, Energy and Mobility



2. Latvian Association for Local and Regional Governments



3. Polish Wind Energy Association



4. German Offshore Wind Energy Foundation



5. Energy Agency of Southern Sweden



6. Lithuanian Energy Agency



Supporting Organisations

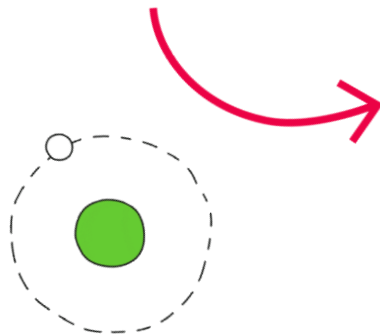


-  1. Estonian Ministry of Economics (Estonia)
-  2. Sweden Region Blekinge (Sweden)
-  3. Pomorski Voivodeship (Gdansk, Poland)
-  4. 50Hertz (Germany)
-  5. Forum Energii (Poland)
-  6. Deutsche WindGuard (Germany)
-  7. Ramboll (Poland)
-  8. Interdisciplinary Research Institute for the Baltic Sea Region (Germany)
-  9. World Forum Offshore Wind (International)



Mission

To foster a transnational green, integrated energy system in the Baltic Sea region, with offshore wind and green hydrogen at its core.



Infographic OWE & H₂ roadmap

Infographic report outlining policy, grid, and planning towards regional OWE and green H₂ development (2024)



Events & network

Four real-life and two online events to foster exchange and build a regional OWE and H₂ network (ongoing)



Infographic OWE & H2 roadmap

Meta-study (2023)

OWE and H2 in the BSR,
transnational developments

+

**Interviews & co-creative
workshops** on challenges and
solutions (2023/2024)



=

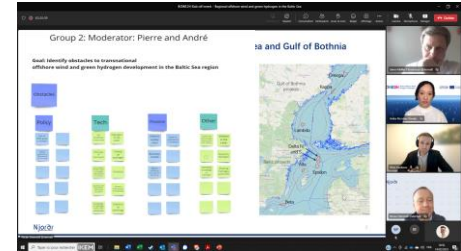
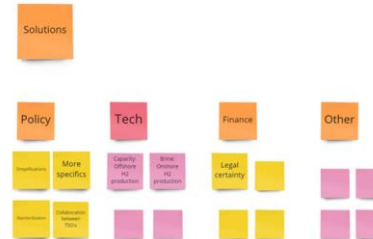
STEP 3

Infographic roadmap to regional
OWE & H2 (2024)

Example Co-creative Workshop | 14 Feb 2023

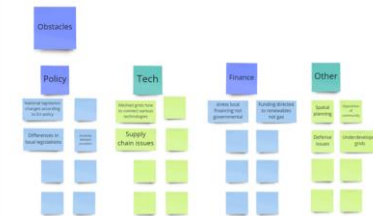
- 60 participants
- 4 break-out rooms
- Task: Identification of challenges and desired solutions to foster (transnational) OWE and H2 development
- Tool: Miro board and mentimeter

Goal: Identify solutions to foster transnational offshore wind and green hydrogen development in the Baltic Sea region

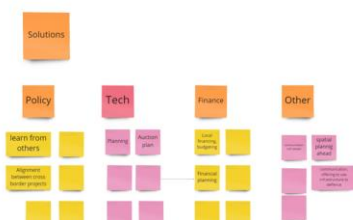


Group 4 Moderator: Roman and Indré

Goal: Identify obstacles to transnational offshore wind and green hydrogen development in the Baltic Sea region

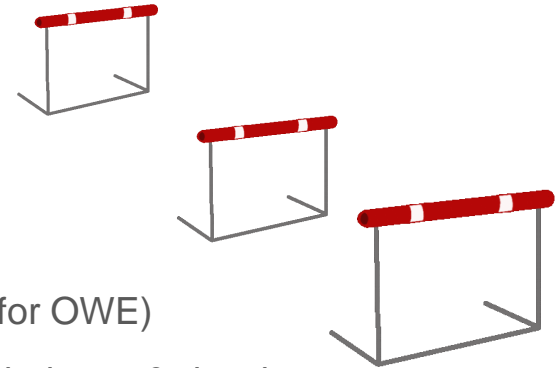


Goal: Identify solutions to foster transnational offshore wind and green hydrogen development in the Baltic Sea region



Obstacles identified

- **Planning and permitting** simplification and standardization (10 years for OWE)
- Strong policy incl **targets** + **timeline** for secure investment climate for industry & developers
- OWE targets strong in many countries, but **H2 is very new** and is not equally supported
- **Cross-sector + transnational exchange needed:** TSO's, policy, industry, spatial planners, defence, environment
- Supply chain and labor **shortages** threaten rapid build-out of RE



Keep an eye out for....



Our Infographic Roadmap: Summer 2024



Our closing event: 18 September - Berlin



Thank you!

IKEM

EHRIN

Excellent Hydrogen Regions in Europe

Interreg



Co-funded by
the European Union

North Sea

Marieke Hoekstra
Project leader

17 April 2024

Excellent Hydrogen regions in Europe

- The EHRIN project is part of the the Interreg North Sea Programme 2021-2027 .
- EHRIN is a small-scale project and runs until November 2024 and with three project partners in Sweden, Germany and The Netherlands.
- Lead partner: Province of Drenthe.

provincie Drenthe



Amt für regionale Landesentwicklung
Leine-Weser



The County
Administrative
Board of Skåne



BETTER GOVERNANCE

EHRIN
taking a next step

EHRIN develops strategies in the setting of three concrete Hydrogen development challenges, to optimize engagements with actors in networks. We aim to increase the capacity of regional authorities to drive networks for change.

Contact details



BETTER
GOVERNANCE

- Marike Hoekstra
- Provincie Drenthe, The Netherlands.
- Tel: +31622709276

EHRIN partners present today:

Tineke Smegen, Dagmara Nawrocka, Peter Odhner, Jeanette Schlaucher, Arne Gisewski, Philip Smart, Kees Boer.

Let's get engaged!

provincie Drenthe